

AUTOMATIC AIR VENT

PN16 F9516
PN25 F9525



FEATURES & SPECIFICATIONS

- Anti corrosion treatment for internal parts to prevent from the valve rusting
- Large venting capacity
- Air tight
- Available in 15, 20 & 25mm inlet diameter threaded BSPT

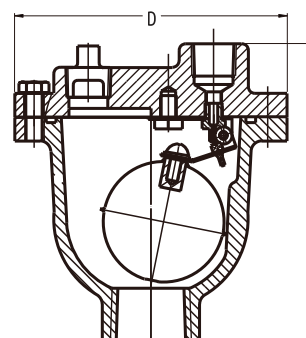
PRESSURE & TEMPERATURE RATINGS

Working Pressure	16bar	25bar
Testing Pressure (x1.5)	24bar	37.5bar
Working Temperature	-10°C ... 120°C	
Suitable Media	Water	



MATERIAL SPECIFICATIONS

Part	Material	Specification
Body	Cast Iron	EN-JL 1040
	Ductile Iron	EN-JS 1050
Cover	Cast Iron	EN-JL 1040
	Ductile Iron	EN-JS 1050
Lever	Stainless Steel 304	EN 10088-3 1.4301
Seat Ring	Stainless Steel 304	EN 10088-3 1.4301
Float	Stainless Steel 304	EN 10088-3 1.4301
Float Arm	Stainless Steel 304	EN 10088-3 1.4301
Orifice Button	FPM (Viton)	Commercial



Note : PN25 only available for Ductile Iron body.

DIMENSIONS

DN		Inlet	Outlet	Orifice	D	H
mm	inch					
15	½	15	15	1.6	125	145
20	¾	20	15	1.6	125	145
25	1	25	15	1.6	125	145

INSTALLATION GUIDE

1. Air vent shall be installed vertically with allowance of within 5" from the horizontal pipe line.
2. A ball valve shall be installed at the inlet for maintenance and servicing.
3. Copper tube to be connected from the outlet of the air vent up to drainage ditch.