

V601W

WAFER TYPE BUTTERFLY VALVE

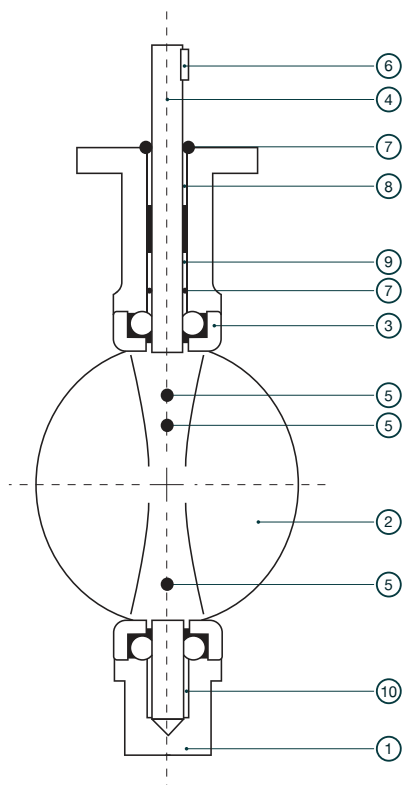


FEATURE & BENEFITS

- Available in size 2"-24"
- Wafer body features four alignment holes
- Ideal for on-off or throttling services
- Designed to comply with MSS SP-67 and API 609. For exact valve measurements see dimension table.
- Available to operate with handle ,gearbox and motorized
- Compatible with ANSI 125/150 or PN16 flanges

ANSI CLASS 125

Dimensional Drawing



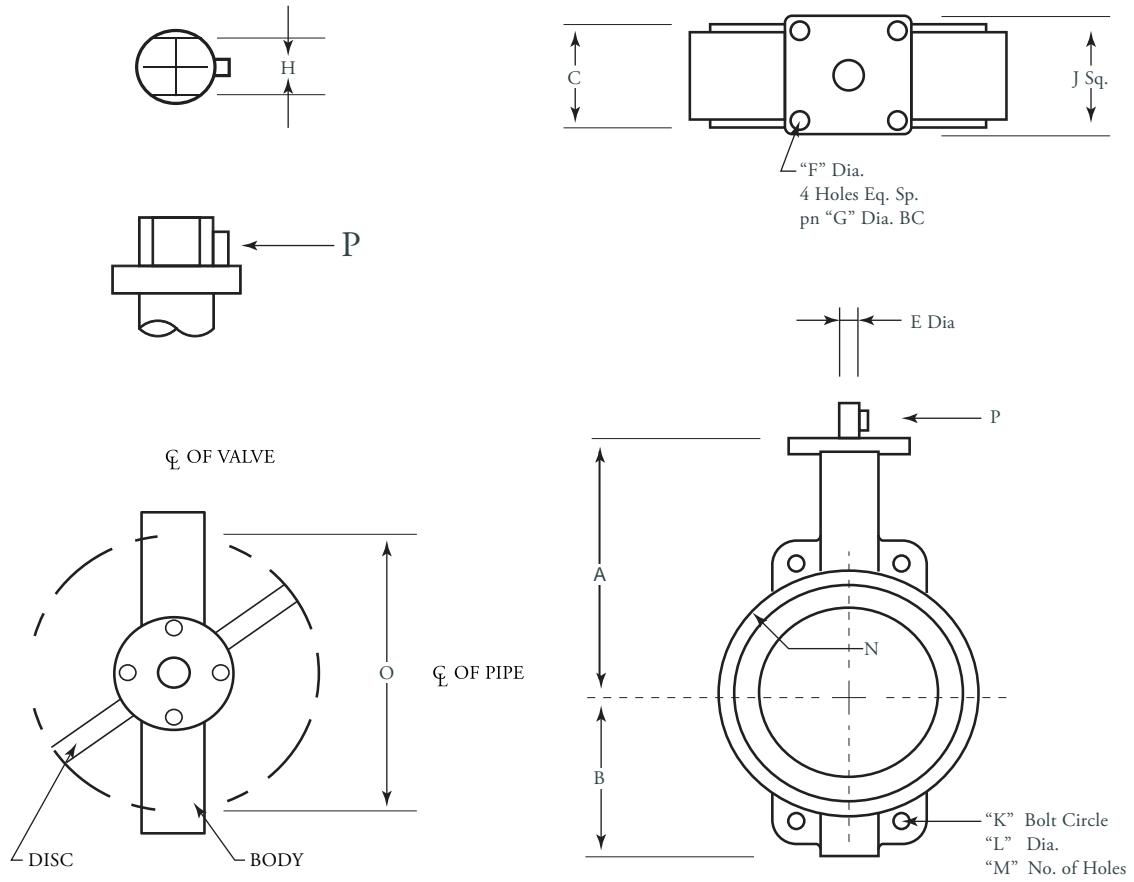
MATERIALS

No.	Part	Material	Size
1	BODY	Ductile Iron / Cast Iron	ALL
2	DISC	SS304 / Aluminum Bronze	ALL
3	SEAT	Buna-N / EPDM / VITON	ALL
4	SHAFT	SS416	ALL
5	TAPER PIN	SS316	ALL
6	KEY	Carbon Steel	ALL
7	O-RING	Buna-N	ALL
8	BUSHING	PTFE	ALL
9	BUSHING	PTFE	ALL
10	BUSHING	PTFE	ALL

DIMENSIONS

VALVE SIZE		A	B	C	D	E	F	G	H	J	K	L	M	N	O
2" 50	In. mm.	6 ³ / ₈ 161.93	3 ¹ / ₂ 82.55	1 ³ / ₈ 44.45	1 ¹ / ₂ 31.75	1/2 12.70	3/8 9.53	2/76 70	0.39 10	2 ³ / ₈ 69.85	4 ³ / ₈ 120.65	11/16 17.46	4	4 101.60	1.26 32.0
2 ¹ / ₂ 50	In. mm.	6 ⁵ / ₈ 174.63	3 ³ / ₈ 95.25	1 ¹ / ₂ 47.63	1 ¹ / ₂ 31.75	1/2 12.70	3/8 9.53	2/76 70	0.39 10	2 ³ / ₈ 69.85	5 ¹ / ₂ 139.70	11/16 17.46	4	4 ³ / ₈ 120.65	1.83 46.5
3" 75	In. mm.	7 ¹ / ₈ 180.98	6 101.60	1 ⁷ / ₈ 47.63	1 ¹ / ₂ 31.75	1/2 12.70	3/8 9.53	2/76 70	0.39 10	2 ³ / ₈ 69.85	6 152.40	11/16 17.46	4	5 ¹ / ₈ 130.18	2.54 64.5
4" 100	In. mm.	7 ⁷ / ₈ 200.03	4 ⁷ / ₈ 123.83	2 ¹ / ₈ 53.98	1 ¹ / ₂ 31.75	5/8 15.88	3/8 9.53	2/76 70	0.47 12	2 ³ / ₈ 69.85	7 ¹ / ₂ 190.50	11/16 17.46	4	6 ³ / ₈ 171.45	3.54 89.9
5" 125	In. mm.	8 ³ / ₈ 212.73	5 ³ / ₈ 136.5	2 ¹ / ₂ 57.15	1 ³ / ₈ 20.64	3/4 19.05	3/8 9.53	2/76 70	0.55 14	2 ³ / ₈ 69.85	8 ¹ / ₂ 215.90	13/16 20.64	4	7 ³ / ₈ 196.85	4.36 110.7
6" 150	In. mm.	8 ⁷ / ₈ 225.43	5 ⁷ / ₈ 149.23	2 ¹ / ₂ 57.15	1 ¹ / ₂ 31.75	3/4 19.05	3/8 9.53	2/76 70	0.55 14	2 ³ / ₈ 69.85	9 ¹ / ₂ 241.30	13/16 20.64	4	8 ⁵ / ₈ 219.08	5.72 145.3
8" 200	In. mm.	10 ¹ / ₂ 260.35	7 ¹ / ₂ 180.98	2 ¹ / ₂ 63.50	1 ³ / ₈ 44.45	7/8 22.23	7/16 11.11	4.02 102	0.67 17	3 ³ / ₈ 95.33	11 ³ / ₈ 298.45	13/16 20.64	4	10 ⁹ / ₁₆ 268.29	7.6 193.0
10" 250	In. mm.	11 ¹ / ₂ 292.10	8 ¹ / ₂ 209.55	6 69.85	1 ³ / ₈ 44.45	1 ¹ / ₂ 28.58	7/16 11.11	4.02 102	0.87 22	3 ³ / ₈ 95.33	14 ¹ / ₂ 361.95	15/16 23.81	4	13 ¹ / ₁₆ 331.79	9.5 241.3
12" 300	In. mm.	13 ¹ / ₂ 336.55	9 ³ / ₈ 247.65	3 ¹ / ₂ 79.39	1 ³ / ₈ 44.45	1 ¹ / ₂ 31.75	7/16 11.11	4.02 102	0.95 24	3 ³ / ₈ 95.33	17 431.80	15/16 23.81	4	16 ¹ / ₂ 409.58	11.45 290.8
14" 350	In. mm.	14 ¹ / ₂ 368.30	11 279.40	3 ¹ / ₂ 79.38	1 ³ / ₈ 44.45	1 ¹ / ₂ 31.75	7/16 11.11	4.02 102	0.95 24	3 ³ / ₈ 95.33	18 ³ / ₈ 476.25	1 ¹ / ₁₆ 26.99	4	17 ¹ / ₁₆ 434.98	12.78 324.6
16" 400	In. mm.	15 ³ / ₈ 400.05	12 304.80	3 ³ / ₈ 88.90	2 50.80	1 ¹⁵ / ₈ 33.34	7/8 16.5	4.02 102	1.06 27	6 ¹ / ₂ 165.10	21 ¹ / ₂ 539.75	1 ¹⁵ / ₁₆ 26.99	4	20 508.00	14.97 380.2
18" 450	In. mm.	16 ⁵ / ₈ 422.28	14 ³ / ₈ 365.13	4 ¹ / ₂ 107.95	2 50.80	1 ¹ / ₂ 22.23	7/8 16.5	4.02 102	1.06 27	6 ¹ / ₂ 165.10	22 ³ / ₈ 577.85	1 ¹ / ₂ 31.75	4	21 ³ / ₈ 542.95	16.83 427.5
20" 500	In. mm.	18 ¹ / ₂ 479.43	14 ⁵ / ₈ 371.48	5 ¹ / ₂ 133.35	2 ¹ / ₂ 63.50	1 ⁵ / ₈ 41.28	7/8 16.5	4.02 102	1.26 32	6 ¹ / ₂ 165.10	25 635.00	1 ¹ / ₂ 31.75	4	23 ⁵ / ₁₆ 592.14	18.67 474.2
24" 600	In. mm.	22 ¹ / ₂ 561.98	18 457.20	6 ³ / ₈ 155.58	2 ³ / ₈ 69.85	2 50.80	7/8 16.5	4.02 102	1.42 36	6 ¹ / ₂ 165.10	29 ¹ / ₂ 749.30	1 ¹ / ₂ 31.75	4	27 ⁵ / ₈ 708.03	22.62 574.5

- Pressure Rating : ANSI Class 125
- Max Working Temperature : 180 °C for Buna-N , 275 °C for EPDM and VITON
- End Connection : Class 125/150 or PN16
- Specification : Valve are manufactured in accordance with MSS SP-67 and API 609



C _v VALUES-VALVE SIZING COEFFICIENTS (US-GPM@1ΔP)									
SIZE	10	20	30	40	50	60	70	80	90
2"	0.06	3	7	15	27	44	70	105	115
2½"	0.10	6	12	25	45	75	119	178	196
3"	0.20	9	18	39	70	116	183	275	302
4"	0.30	17	36	78	139	230	364	645	600
5"	0.50	29	61	133	237	392	620	930	1022
6"	0.80	45	95	205	366	605	958	1437	1579
8"	2	89	188	408	727	1202	1903	2854	3136
10"	33	151	320	694	1237	2047	33240	4859	5340
12"	4	234	495	1072	1911	3162	5005	7507	8250
14"	6	338	715	1549	2761	4568	7230	10844	11917
16"	8	464	983	2130	3797	6282	9942	14913	16388
18"	11	615	1302	2822	5028	8320	16931	19752	21705
20"	14	791	1647	3628	6465	10698	26157	25396	27908
24"	22	1222	2587	5605	9989	16582	44545	39236	43116

DIFFERENTIAL PRESSURE			
VALVE SIZE	50 PSI AP	100 PSI AP	150 PSI AP
2"	100	106	111
2½"	150	163	176
3"	207	220	232
4"	290	323	357
5"	42	481	783
6"	599	691	1,307
8"	1,060	1,183	2,074
10"	1,671	1,872	3,023
12"	2,568	2,795	3,500
14"	2,640	3,070	5,500
16"	4,260	4,880	8,200
18"	6,287	7,243	10,000
20"	8,360	9,180	18,200
24"	15,427	16,813	31,500