



PN20

# V403

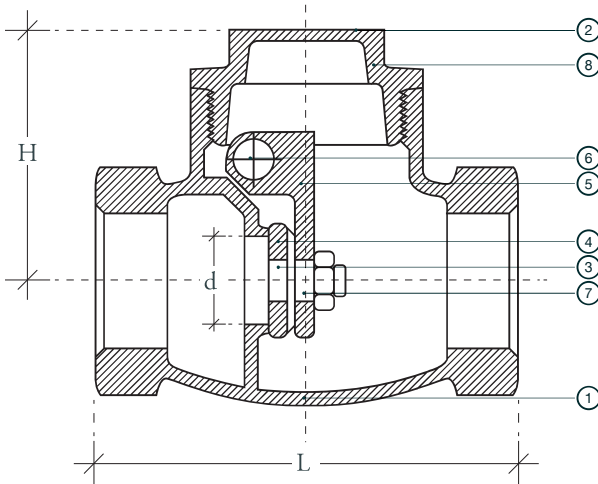
BRONZE SWING CHECK VALVE NBR SEAT

## FEATURES & BENEFITS

- Normally check valves allow fluid to flow through it in only one direction and close automatically if flow reverses
- The Valor V403 bronze check valve is of the swing variety
- Non-slam design as a result of NBR rubber disc

CHECK VALVES

## Dimensional Drawing



## MATERIALS

No.	Part	Material	Size
1	BODY	Bronze CC491K	ALL
2	CAP	Bronze CC491K	ALL
3	DISC HOLDER	Bronze CC491K	ALL
4	DISC	NBR	ALL
5	HINGE	Bronze CC491K	ALL
6	HINGE PIN	Stainless Steel 304	ALL
7	HINGE NUT	Stainless Steel 304	ALL
8	PACKING	PTFE	ALL

## DIMENSIONAL DRAWING

Size (mm.)	d (mm.)	L (mm.)	H (mm.)
15	12	58	36.5
20	18	66	43
25	24	76	49
32	31	88	57
40	37	96	62.5
50	49	112	72

- **Pressure Rating** : 20 Bar ( 290 PSI ) at -10 to 100 °C  
8 Bar ( 116 PSI ) at 180 °C
- **End Connection** : Taper Thread To 10226-2 ( ISO 7-1 ) formerly BS - 21 or ANSI B1.20.1
- **Specification** : Valve are manufactured in accordance with WRAS Approved