

FEATURES & SPECIFICATIONS

- Single unit Y-pattern globe valves incorporating fixed orifice plate flow measurement unit
- Fitted with a pair of measuring plugs
- High measurement accuracy of +/-5% across all opening settings
- Microset handwheel and presetting scale is readable from all directions
- Regulating and isolating functions
- Setting can be locked with allen key
- Flange drilled to BS 4504 PN16 / EN 1092-2 PN16 / BS 4504 PN25 / EN 1092-2 PN25 / ANSI Class 150 (Specify on order)
- Comply with BS 7350
- Applicable for hydronic balancing of heating and cooling systems

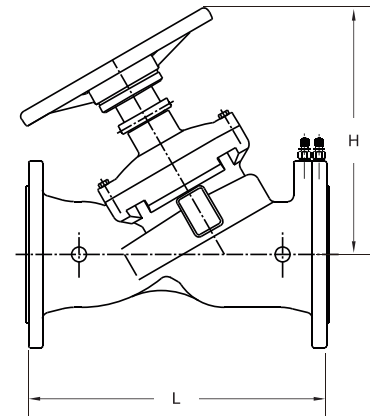


PRESSURE & TEMPERATURE RATINGS

Working Pressure	16bar	25bar
Shell Test Pressure (x1.5)	24bar	37.5bar
Seat Test Pressure (x1.1)	17.6bar	27.5bar
Working Temperature	-10°C ... 120°C	
Suitable Media	Water	

MATERIAL SPECIFICATIONS

Part	Material	Specification
Body	Ductile Iron	EN-JS 1050
Bonnet	Ductile Iron	EN-JS 1050
Stem	Stainless Steel 410 (DN65 ... DN300) Stainless Steel 431 (DN350 ... DN600)	EN 10088-3 1.4006 EN 10088-3 1.4057
Balancing Cone	Ductile Iron	EN-JS 1050
Disc	EPDM coated DI	EN-JS 1050
Gland	Brass (DN65 ... DN150) Ductile Iron (DN200 ... DN600)	EN 12165 CW617N EN-JS 1050
Gland Nut	Brass	EN 12165 CW617N
Orifice Insert	DZR Brass	EN 12165 CW602N
Measuring Plug	DZR Brass	EN 12165 CW602N
Handwheel	Ductile Iron	EN-JS 1050
Packing	Graphite	Non-Asbestos

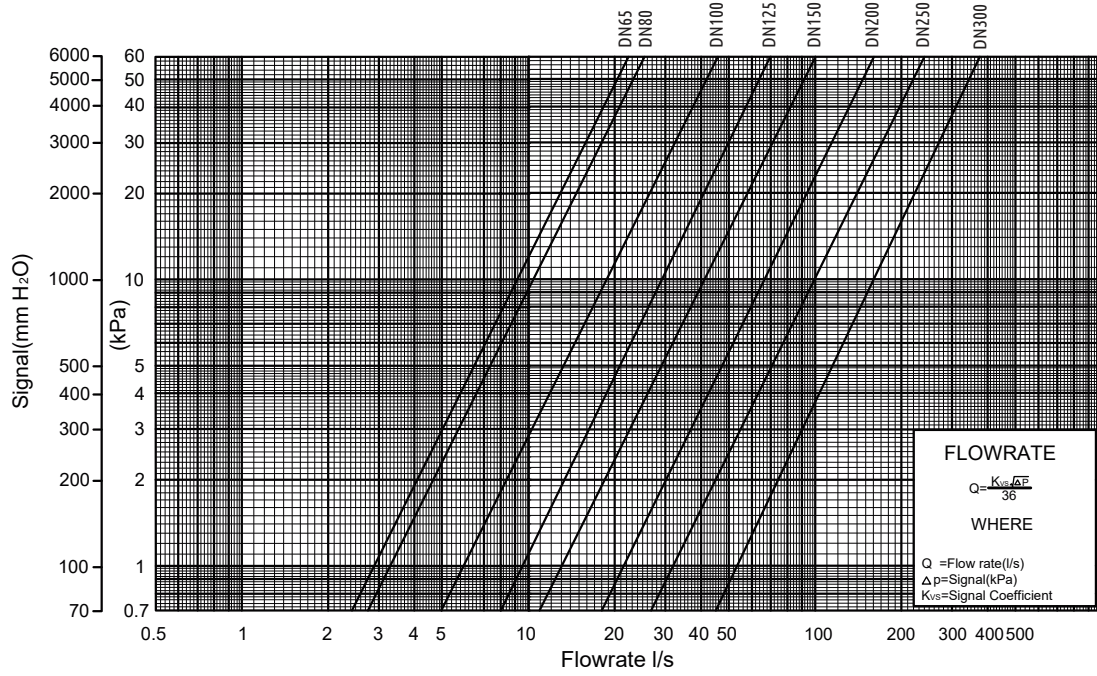


DIMENSIONS & FLOW COEFFICIENT

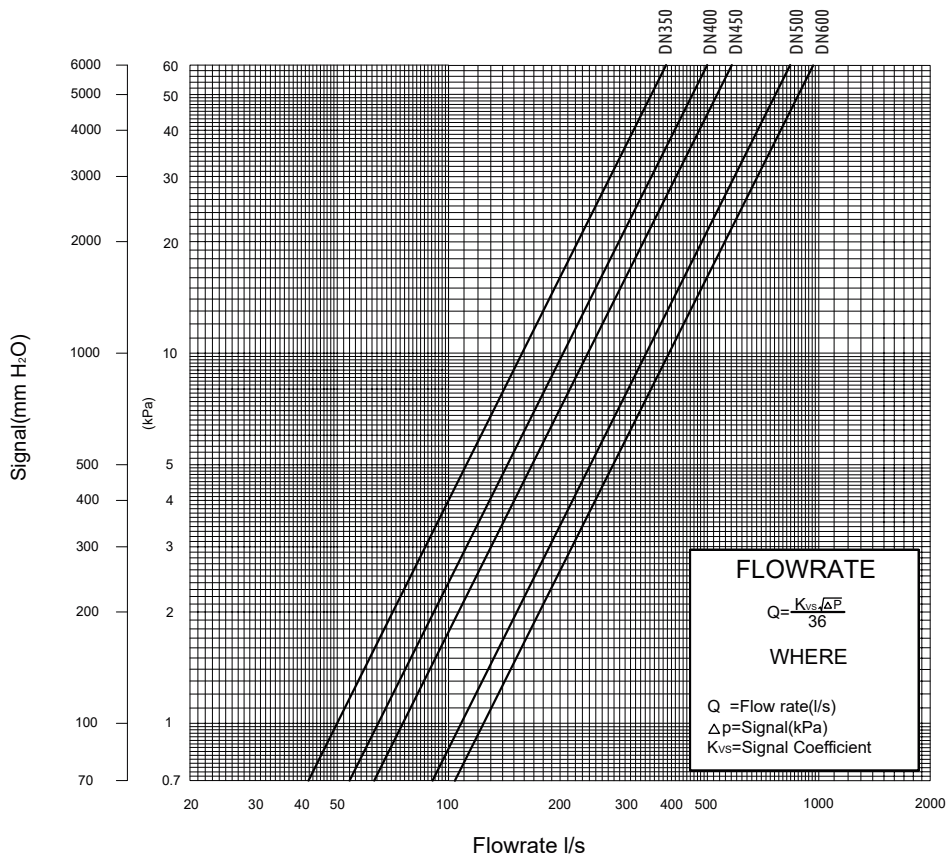
DN (mm) (inch)	(mm)												
	65	80	100	125	150	200	250	300	350	400	450	500	600
L	290	310	350	400	480	600	730	850	980	1100	1200	1250	1450
H	265	270	310	340	340	537	570	690	685	965	1020	1065	1180
D	200	200	240	290	290	350	420	420	420	640	640	640	640
Kvs (Fully Open)	104	116	213	333	476	768	1153	1743	1798	2338	2698	3708	4500
Handwheel Turns	8	8	8	8	8	12	12	18	18	24	24	24	24

FIXED ORIFICE DOUBLE REGULATING VALVE

PN16 F63F16
PN25 F63F25



DN	(mm)	65	80	100	125	150	200	250	300
	(inch)	2½	3	4	5	6	8	10	12
	Kvs	104.00	116.00	213.00	333.00	476.00	768.00	1153.00	1743.00



DN	(mm)	350	400	450	500	600
	(inch)	14	16	18	20	24
	Kvs	1798.00	2338.00	2698.00	3708.00	4500.00

INSTALLATION & OPERATION GUIDE

Install the Double Regulating Valve in the pipe line by ensuring the arrow marking on the valve is same direction as piping flow.

To achieve flow measurement accuracy, it is essential that the piping on the inlet and outlet of the valve is straight and has a minimum length equivalent to 5 Diameters (5D) inlet and 2 Diameters (2D) outlet as shown. If the valve is install at the discharge side of a pump set, it is essential that the straight pipe length between pump outlet and valve has a minimum length of 10 Diameters (10D).

Gaskets must be used and assembled between valve and flanges. This will ensure the installation is concentric with pipe line and better accuracy is obtained.

Design flow is achieved by pre-setting valve's opening position, which could be read from scales at the handwheel. Contact your local distributor for information on electronic commissioning meter.

To lock the pre-setting of the valve, push the limitation ring at the scales at the bottom of the handwheel, tighten the screw using the hexagon wrench.

Valve must not be lifted by holding the handwheel.

