

# V414

CAST IRON DUO DISC CHECK VALVE

## FEATURES & BENEFITS

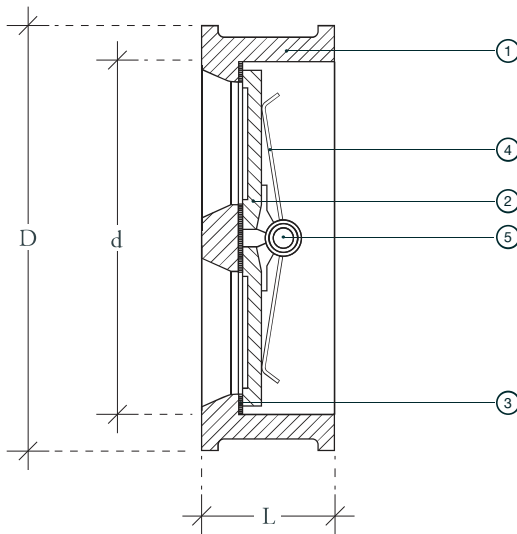
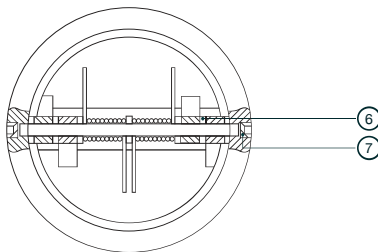
- Normally check valves allow fluid to flow through it in only one direction and close automatically if flow reverses
- Non-slam design as a result of rubber seat and spring-assisted closure
- EPDM rubber seat to facilitate quiet operation and improve disk seating
- Design and construction provide minimal head loss and minimal turbulence

CHECK VALVES



PN25

## Dimensional Drawing



## MATERIALS

No.	Part	Material	Size
1	BODY	Cast Iron BS EN 1561 GJL-250	ALL
2	DISC	Stainless Steel 304	ALL
3	SEAT	EPDM ( Max 120 °C )	ALL
4	SPRING	Stainless Steel 304	ALL
5	STEM	Stainless Steel 304	ALL
6	GASKET	PTFE	ALL
7	GASKET	NBR	ALL

## DIMENSIONAL DRAWING

Size (mm.)	D (mm.)	d (mm.)	L (mm.)
50	105	65	54
65	124	80	54
80	137	94	57
100	175	117	64
125	197	145	70
150	222	170	76
200	279	224	95
250	340	265	108
300	410	310	143
350	451	360	184
400	514	410	191
450	549	450	203
500	606	505	213
600	718	624	222

- **Pressure Rating** : 25 Bar ( 362.5 PSI ) at -10 to 120 °C  
19 Bar ( 185.6 PSI ) at 220 °C
- **End Connection** : Suitable for flange connection to BS EN 1092-2 PN16 or ANSI B16.1
- **Specification** : Valve are manufactured in accordance with BS EN 16767