

# V402

## BRONZE LIFT CHECK VALVE

### FEATURES & BENEFITS

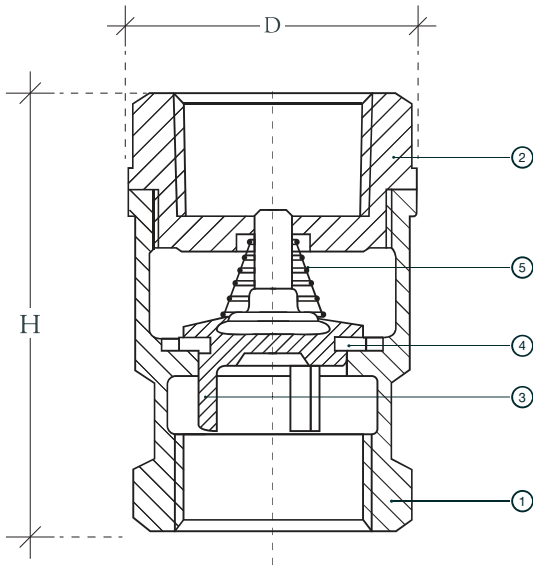
- Normally check valves allow fluid to flow through it in only one direction and close automatically if flow reverses
- Lift check valves are suitable for installation in horizontal or vertical pipelines with upward flow

CHECK VALVES



PN20

### Dimensional Drawing



### MATERIALS

No.	Part	Material	Size
1	BODY	Bronze B62 C83600	ALL
2	BONNET	Bronze B62 C83600	ALL
3	DISC	Bronze B62 C83600	ALL
4	SEAT	NBR	ALL
5	SPRING	Stainless Steel 304	ALL

### DIMENSIONAL DRAWING

Size (mm.)	D (mm.)	H (mm.)
15	33	53
20	41	60
25	48	68
32	58	79
40	70	85
50	82	98

- **Pressure Rating** : 20 Bar ( 290 PSI ) at -10 to 100 °C  
8 Bar ( 116 PSI ) at 180 °C
- **End Connection** : Taper Thread To 10226-2 ( ISO 7-1 ) formerly BS - 21 or ANSI B1.20.1
- **Specification** : Screwed in cap, Lift type disc