

V111

OUTSIDE SCREW & YOKE CAST IRON GATE VALVE

FEATURES & BENEFITS

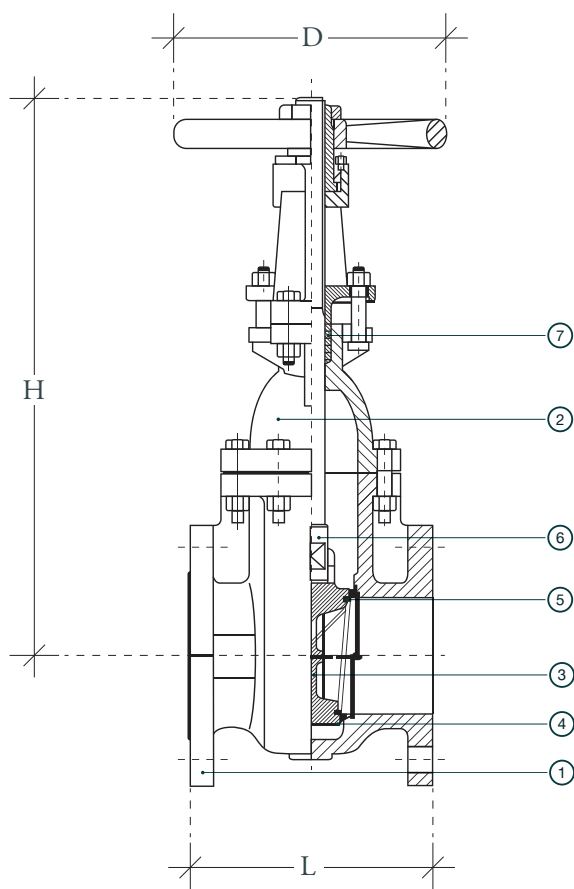
- Valor cast iron gate valves are one of good choice to use on-off fuction
- Full port is designed for offering minimal pressure drop
- Rising stem indicate position of valve opening
- Internal valves embellish with bronze (bronze trim)



PN16

OS & Y Rising Stem

Dimensional Drawing



MATERIALS

No.	Part	Material	Size
1	BODY	Cast Iron BS EN 1561 GJL-250	ALL
2	BONNET	Cast Iron BS EN 1561 GJL-250	ALL
3	DISC	Cast Iron BS EN 1561 GJL-250	ALL
4	BODY SEAT RING	Bronze BS EN 1982 CC191K	ALL
5	DISC SEAT RING	Bronze BS EN 1982 CC191K	ALL
6	STEM	Stainless Steel BS 970	ALL
7	PACKING	Asbestos Free	ALL

DIMENSIONAL DRAWING

Size (mm.)	L (mm.)	H (mm.)	D (mm.)
65	190	347	185
80	203	384	200
100	229	490	220
125	254	541	250
150	267	656	285
200	292	778	340
250	330	933	405
300	356	1102	460
350	381	1259	520
400	407	1395	580
450	432	1560	640
500	457	1708	715
600	508	1990	840

- **Pressure Rating** : 16 Bar (232 PSI) at -10 to 120 °C
12.8 Bar (185.6 PSI) at 200 °C
 - **End Connection** : End Flanged Conform to BS EN 1092 Formaly BS 1560
 - **Specification** : Solid wedge disc , OS & Y Rising stem
- Valve are manufactured in accordance with BS EN 1171 formaly BS 5150